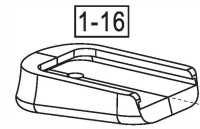
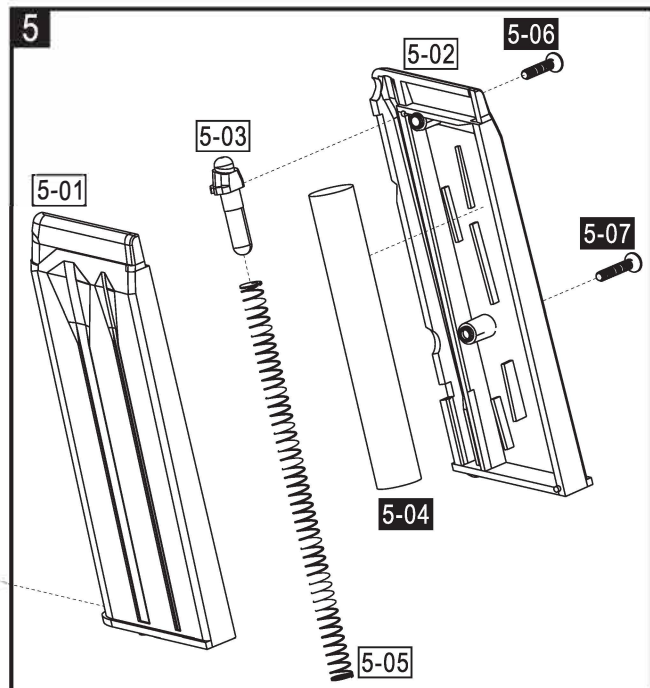
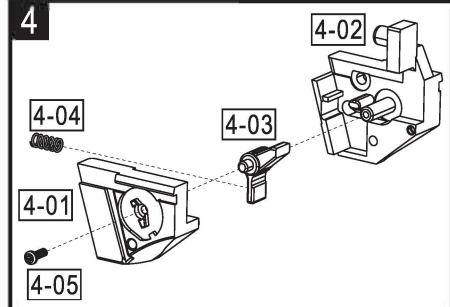
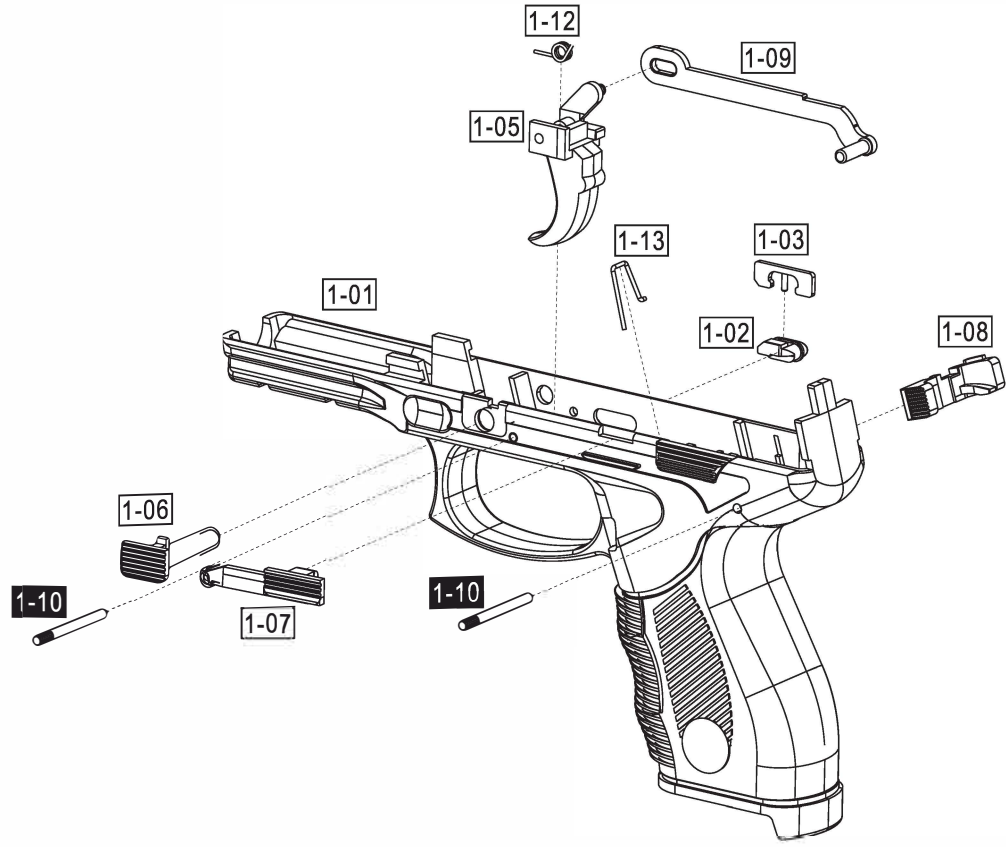
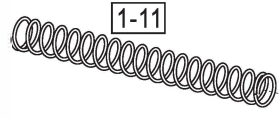
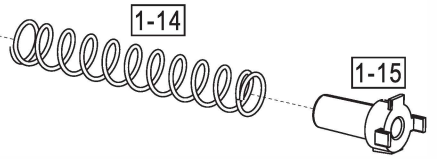
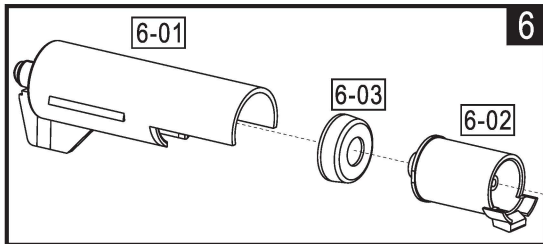
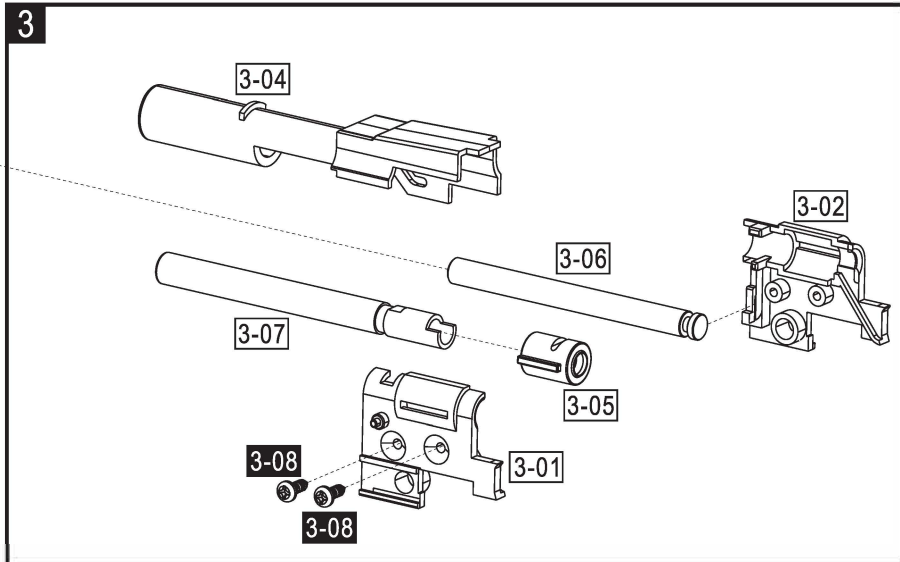
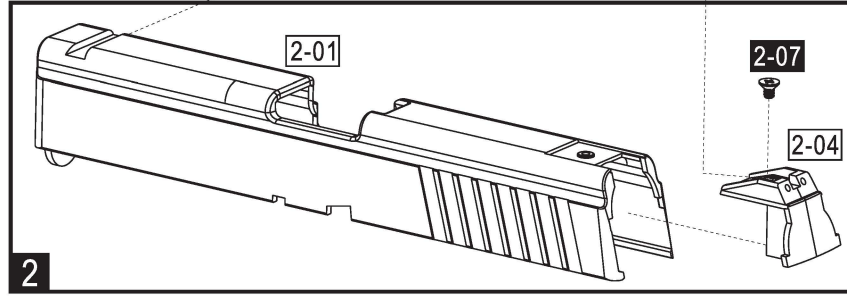
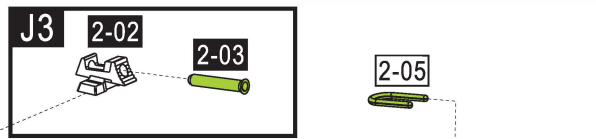


# Sport 106, DT, Spring Item: 18913



## ASG item ref. 18913 Airsoftpistol

PARTS NO.	Raw part no.	DESCRIPTION	QTY needed	MATERIAL		WEIGHT
				A:METAL	B:PLASTIC	
1-01	SCG106-W1-AD	FRAME	1	B		57,2 g
1-02	SCG-W1-H3	SAFETY	1	B		0,4 g
1-03	SCG-W85-01	SAFETY SIGN	1	B		0,075 g
1-04	SCG106-W1-CAS	GRIP	1	C		21 g
1-05	S106-W25-F4	TRIGGER	1	A		17,7 g
1-06	SCG106-W1-D2	SLIDE FIXING PIN	1	B		0,9 g
1-07	SCG106-W1-D3	SAFETY PIN	1	B		0,77 g
1-08	SCG106-W1-D4	MAG. CATCH	1	B		0,92 g
1-09	S100-W6-CC4	TRIGGER CONNECTOR	1	C		6,3 g
1-10	M10-25310FRB	AXIS 2.5x31	2	A		
1-11	M41-S101-2	RECOIL SPRING	1	A		
1-12	M43-S100-2	TRIGGER SPRING	1	A		
1-13	M44-SCG106-1A	MAG. CATCH SPRING	1	A		0,3 g
1-14	M41-S100-1	CHAMBER SPRING	1	A		
1-15	S100-W1-AA5	SPRING SEAT	1	B		1,6 g
1-16	S106-W1-E1	MAG. BASE	1	B		8,6 g
2-05	SCG106-W1-I1	U TYPE FIBER OPTIC	1	B		0,1 g
<b>2</b>	<b>SCG106-W25-BB</b>	<b>SLIDE COMBINATION</b>				
2-01	SCG106-W1-BB	SLIDE	1	B		26 g
2-04	SCG106-W1-E2	SIGHT SEAT	1	B		1,6 g
2-07	M20-F2743TP3B	SCREW 2.7x4.3	1	A		
<b>J3</b>	<b>SCG-W85-J3</b>	<b>FRONT SIGHT SEAT COMBINATION</b>				
2-02	SCG-W1-J3	FRONT SIGHT SEAT	1	B		
2-03	SCG-W1-K	FRONT FIBER OPTIC	1	B		0,14 g
<b>6</b>	<b>S100-W85-6</b>	<b>VALVE CHAMBER COMBINATION</b>				
6-01	S100-W1-AA1	CHAMBER	1	B		6 g
6-02	S100-W1-AA2	PISTON	1	B		3,6 g
6-03	R10-S100-E	PISTON RUBBER	1	C		0,8 g

